

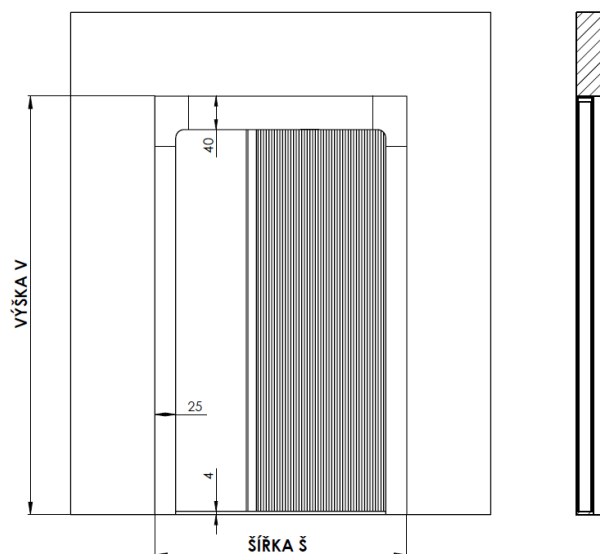
# PLEATED INSECT SCREEN PS1, PS1 V

## 1. MEASUREMENT

### 1.1. Measurement for reveal

Measure the width and height of aperture, to which the screen is to be installed. Measure in 3 places, specify the smallest value.

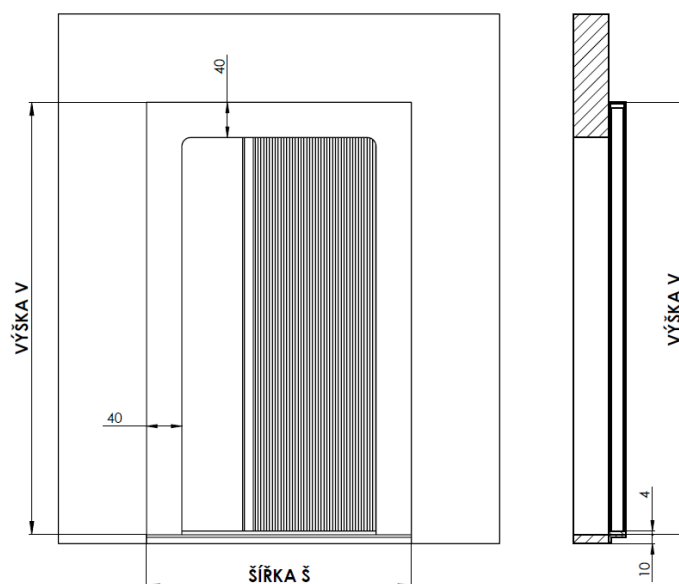
VÝŠKA V – HEIGHT H  
ŠÍŘKA Š – WIDTH W



### 1.2 Measurement for frame

Measure the external screen size.

VÝŠKA V – HEIGHT H  
ŠÍŘKA Š – WIDTH W



## 2. INSTALLATION

### Installation to reveal



### 1. Frame installation

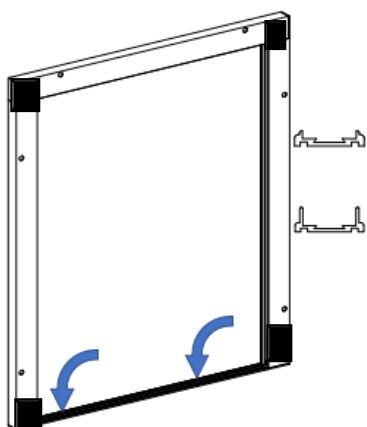
Fit the plastic parts to the upper profile. Remove the protective film from the sticker and attach the upper profile to the place of installation. Correct any differences in length by moving the plastic corner parts.

Insert the side guide profile to the plastic corner part, first in the upper corner, then in the lower, and fasten with screws supplied.



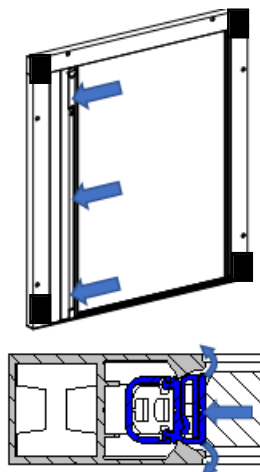
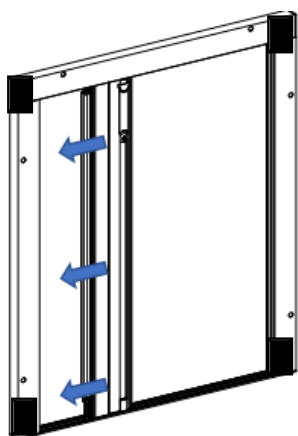
### 2. Installation of the guide profile on the opposite side

Insert the side guide profile on the opposite side to the plastic corner part, first in the upper corner, then in the lower, and fasten with screws supplied.



### 3. Installation of the lower guide profile

Remove the protective film from the sticker and attach the lower profile to the place of installation (floor).

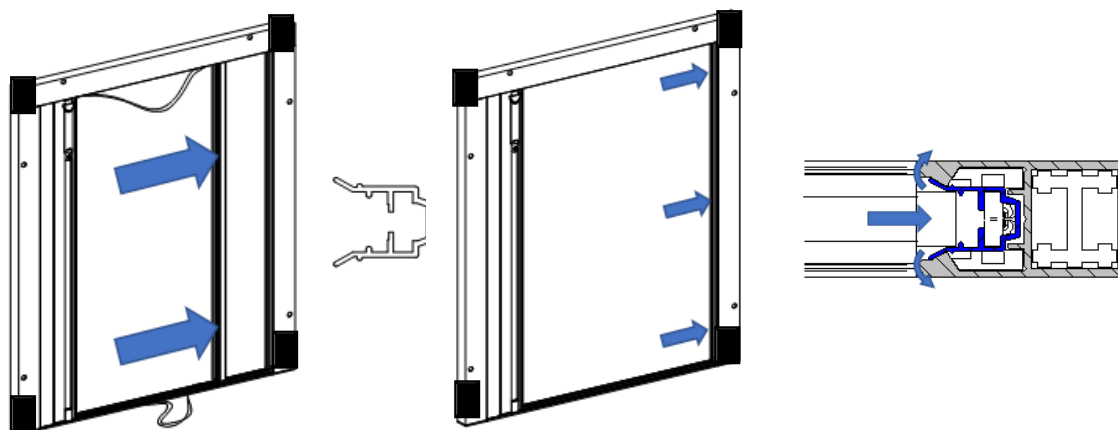


### 4. Inserting and fastening the KIT screen

Insert the assembly with the KIT to the upper profile and lower rail. Move the assembly towards the side guide profile. Push the assembly to the side profile until it fits in place (all the way). Always start pushing from below.

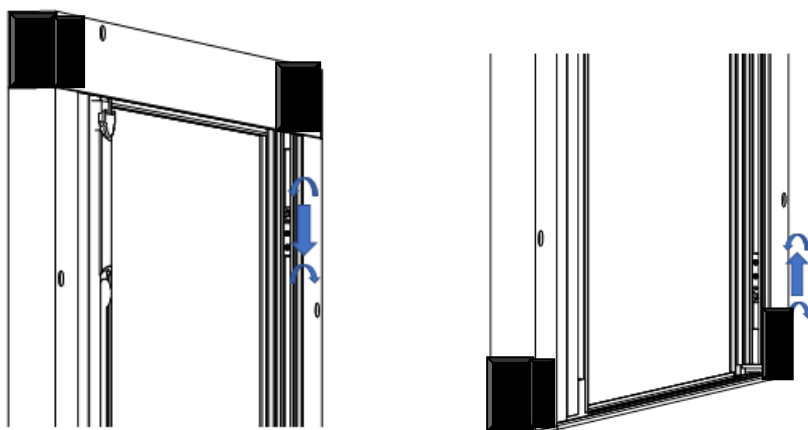
Pay attention to the orientation of the disassembly hole!





## 5. Inserting the magnet guide profile

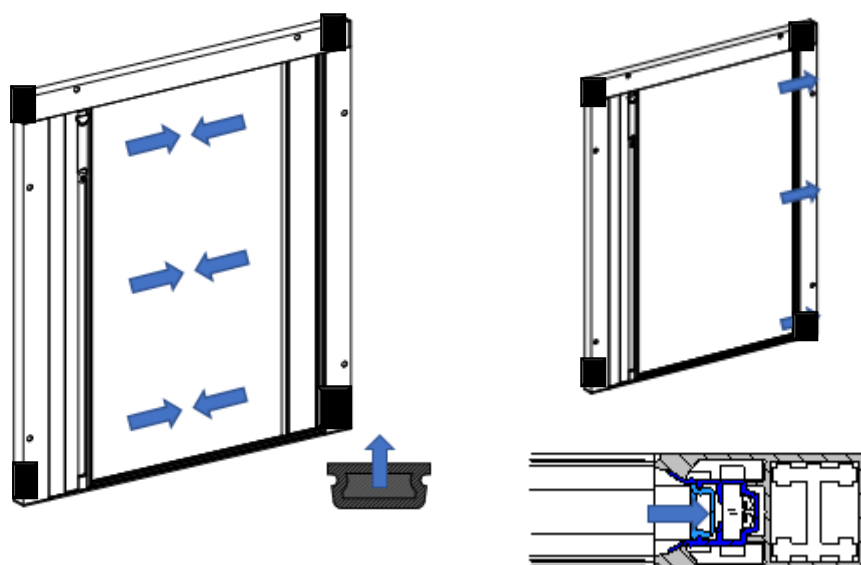
Insert the magnet guide profile with cords to the side guide profile. Push the magnet guide profile to the side guide profile until it fits in place. Always start pushing from below.



## 6. Adjusting the tension cords

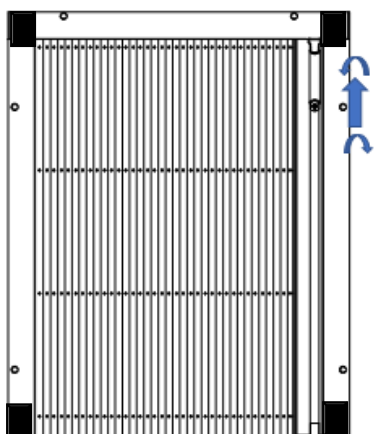
6a Adjust the cord tension by shifting the **upper** adjusting element. Check the tension of the screen cords, shut and open the screen several times, and if necessary, make fine adjustments to the cord tension by shifting the upper or lower adjusting element.

6b Adjust the cord tension by shifting the **lower** adjusting element. Check the tension of the screen cords, shut and open the screen several times, and if necessary, make fine adjustments to the cord tension by shifting the upper or lower adjusting element.



## 7. Inserting the magnet

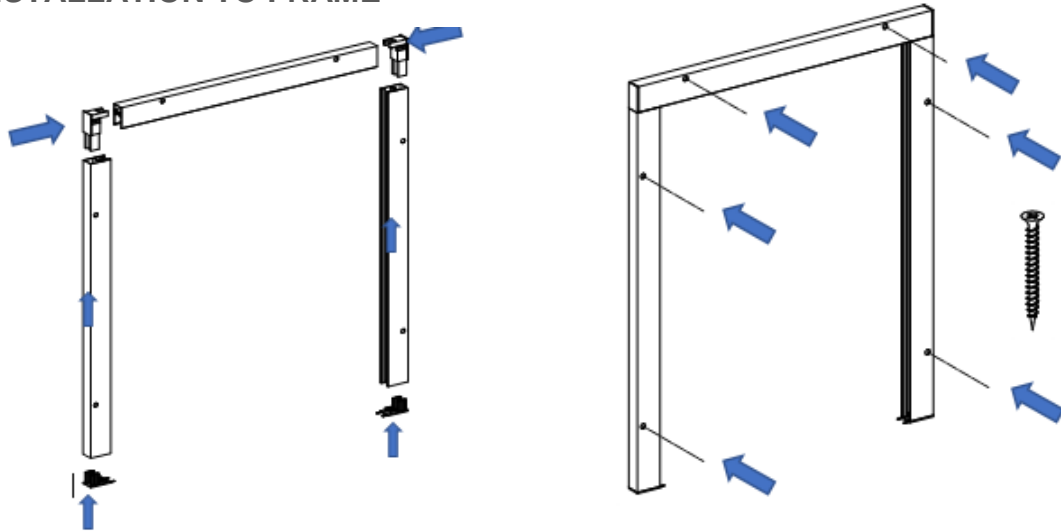
Check the magnet polarity against the KIT polarity. Insert the magnet to the magnet guide profile, push until the magnet fits in place. Always start pushing from below.



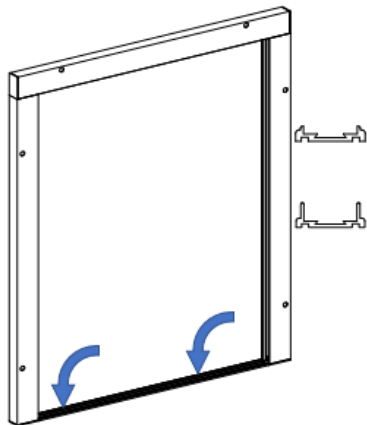
## 8. Plastic component with spring

It is recommended to use this component in doors that are not right-angled. If the door is right-angled, it is not necessary to use the component. Insert the plastic profile with spring to the KIT guide rail. Slightly push the plastic component towards the upper profile and tighten the screws. The component must be slightly flexible.

## 2.1. INSTALLATION TO FRAME

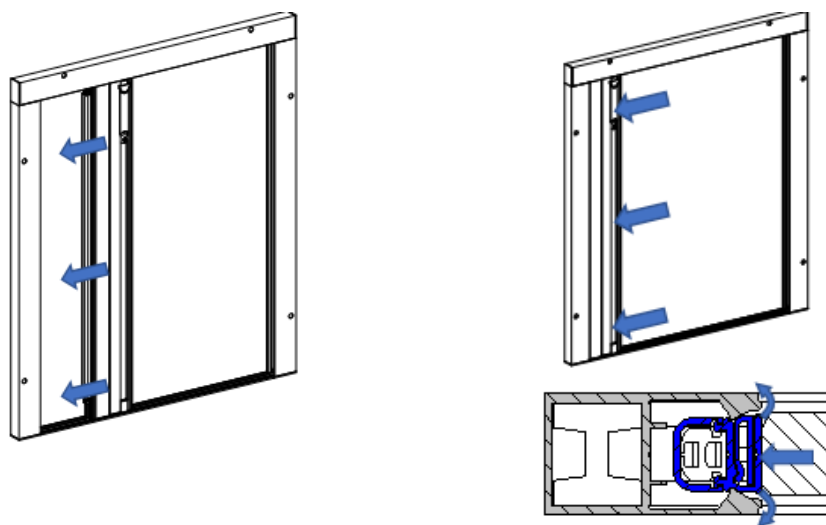


1. Install the upper and side guide profiles to the frame.
2. Use screws to fasten the frame to the reveal.



## 3. Installing the lower guide profile

Remove the protective film from the sticker and attach the lower profile to the place of installation (floor).

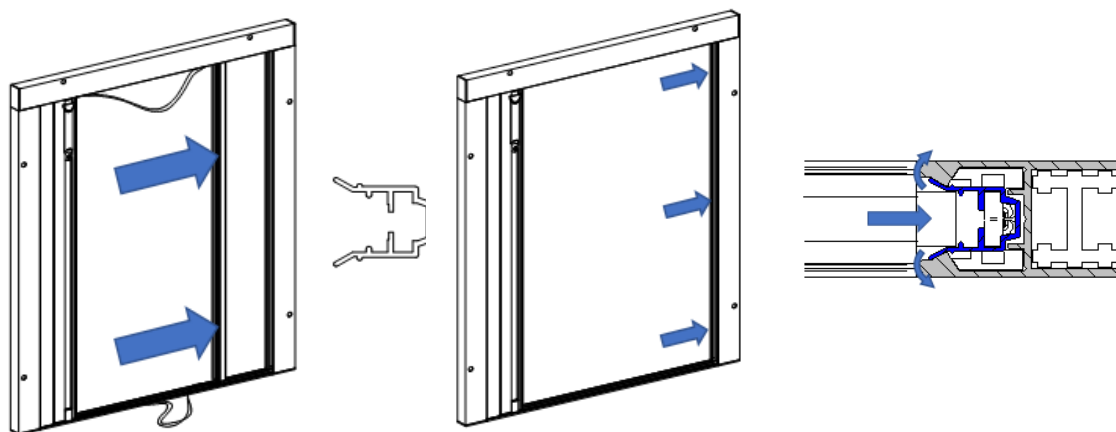


#### 4. Inserting and fastening the KIT insect screen

Insert the assembly with the KIT screen to the upper profile and lower rail. Move the assembly towards the side guide profile. Push the assembly to the side profile until it fits in place (all the way). Always start pushing from below.

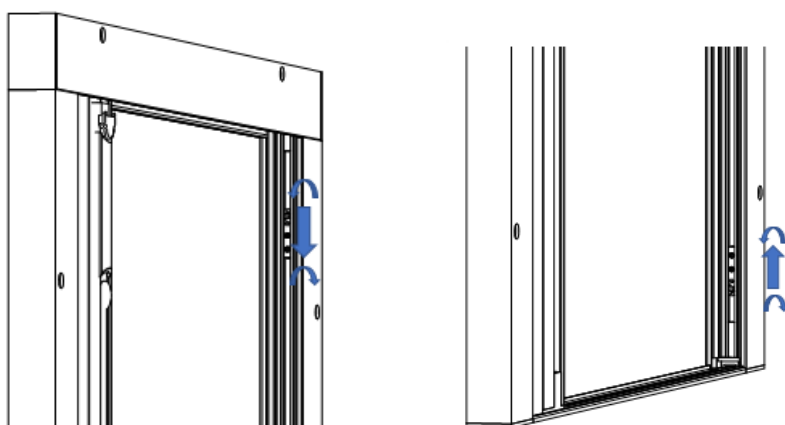
Pay attention to the orientation of the disassembly hole!





## 5. Inserting the magnet guide profile

Insert the magnet guide profile with cords to the side guide profile. Push the magnet guide profile to the side guide profile until it fits in place. Always start pushing from below.

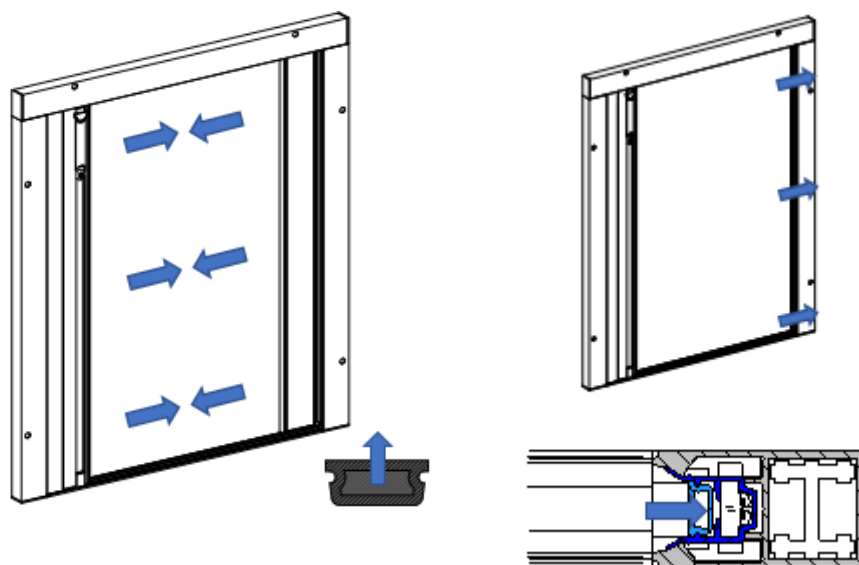


## 6. Adjusting the tension cords

6a Adjust the cord tension by shifting the upper adjusting element. Check the tension of the screen cords, shut and open the screen several times, and if necessary, make fine adjustments to the cord tension by shifting the upper or lower adjusting element.

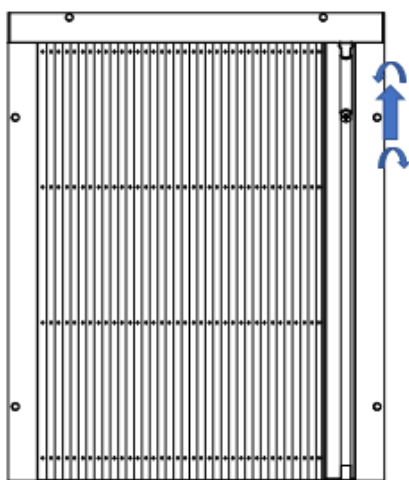
6b Adjust the cord tension by shifting the lower adjusting element. Check the tension of the screen cords, shut and open the screen several times, and if necessary, make fine adjustments to the cord tension by shifting the upper or lower adjusting element.





## 7. Inserting the magnet

Check the magnet polarity against the KIT polarity. Insert the magnet to the magnet guide profile, push until the magnet fits in place. Always start pushing from below.



## 8. Plastic component with spring

It is recommended to use this component in doors that are not right-angled. If the door is right-angled, it is not necessary to use the component. Insert the plastic profile with spring to the KIT guide rail. Slightly push the plastic component towards the upper profile and tighten the screws. The component must be flexible.